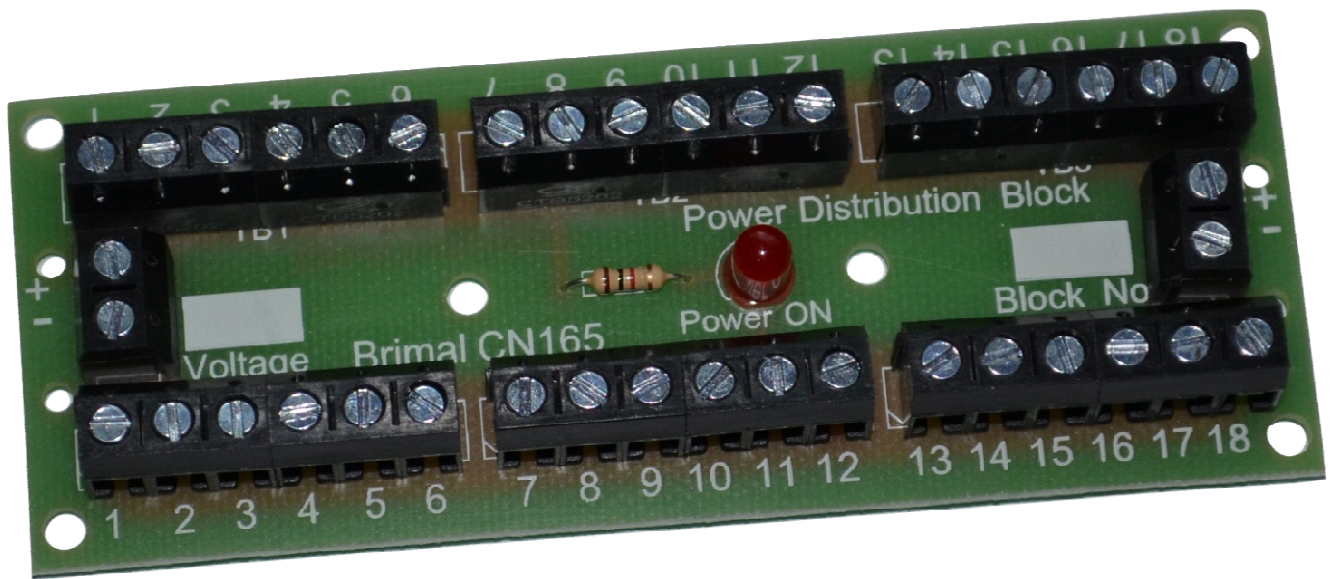


## CN165 Power Distribution Board

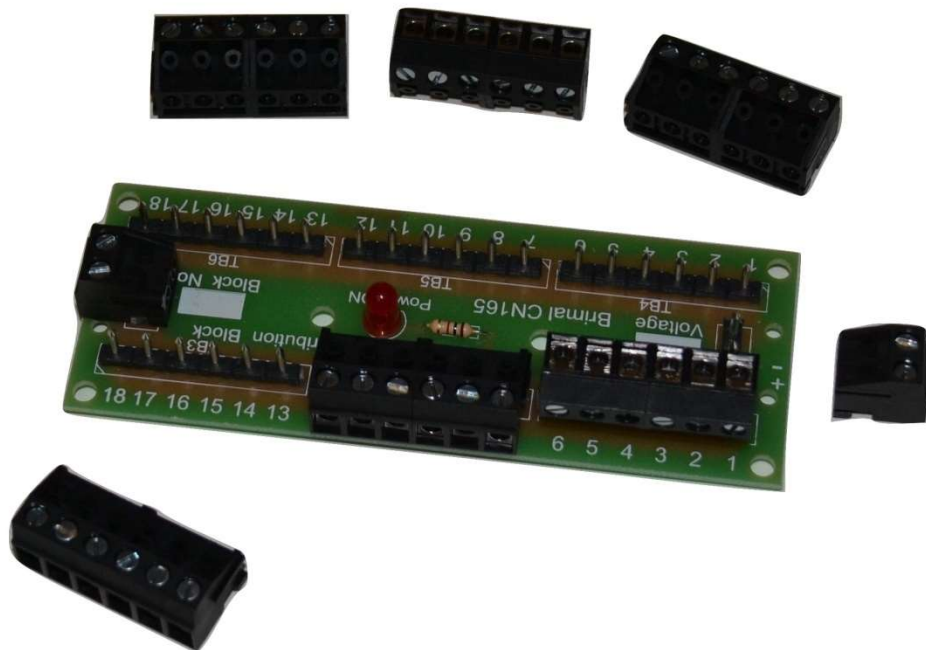
The CN165 basic unit has 18 Positive and 18 Negative Terminals (**Especially for those who don't like to solder**). Input terminal will handle up to 15 Amps, the board can be used for 12VDC to 24VDC. (The board can be used with higher voltages, however the resistor should be removed to disable the LED) The LED will show Green if the Polarity is correct, Red if the Polarity is reversed by mistake or Orange if you are running a DCC system. Write on patch for board Voltage and board No. There are 6 Fixing holes available and cable tie holes also available for Input cables.

There are 3 ways to connect to the CN165 Distribution Board.

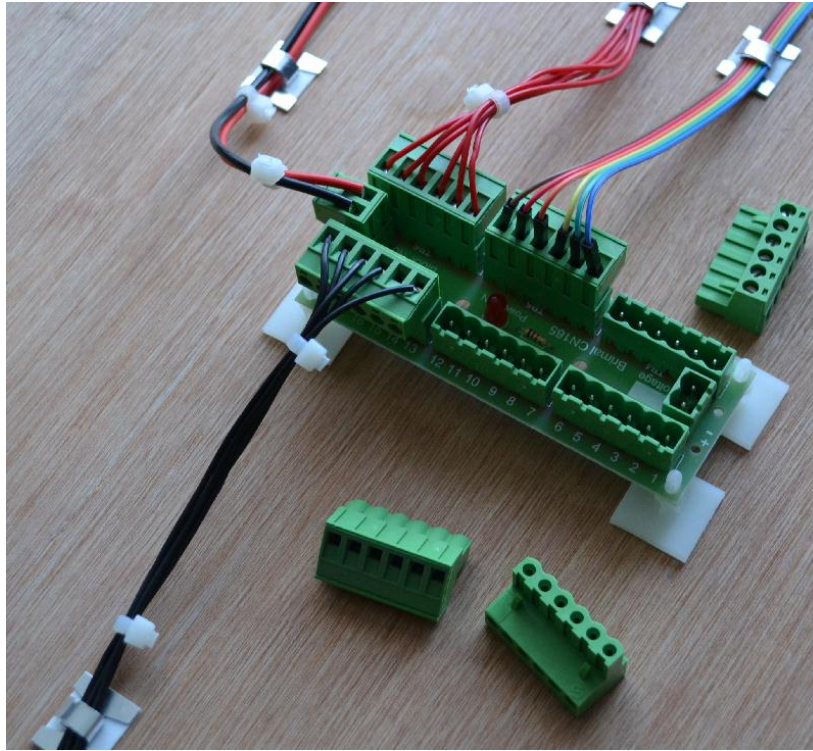
The CN165 Screw Terminal Board.



The CN165-1 is a reversible plug in system. Each unit comes complete with 2 No 2way & 6 No 6way Plug in Terminals.

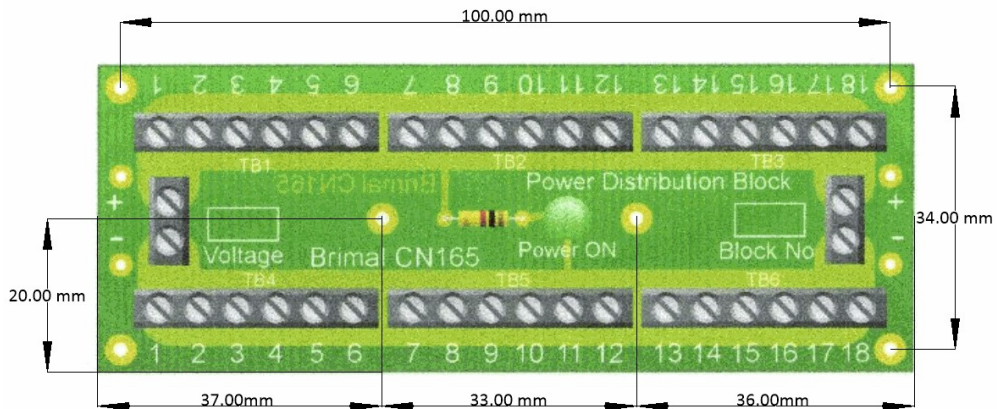


The CN165-2 is a polarised plug in system. Each unit comes with 2No 2way & 6No 6way Plug in Terminals.



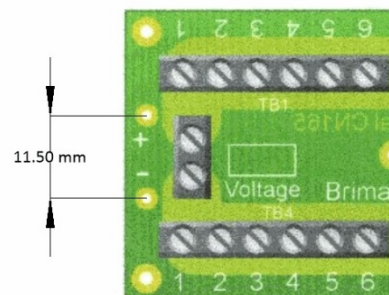
The Distribution Board is the same for all three types of terminals.

The fixing holes are 3.5mm diameter, and there are 6 on each board.



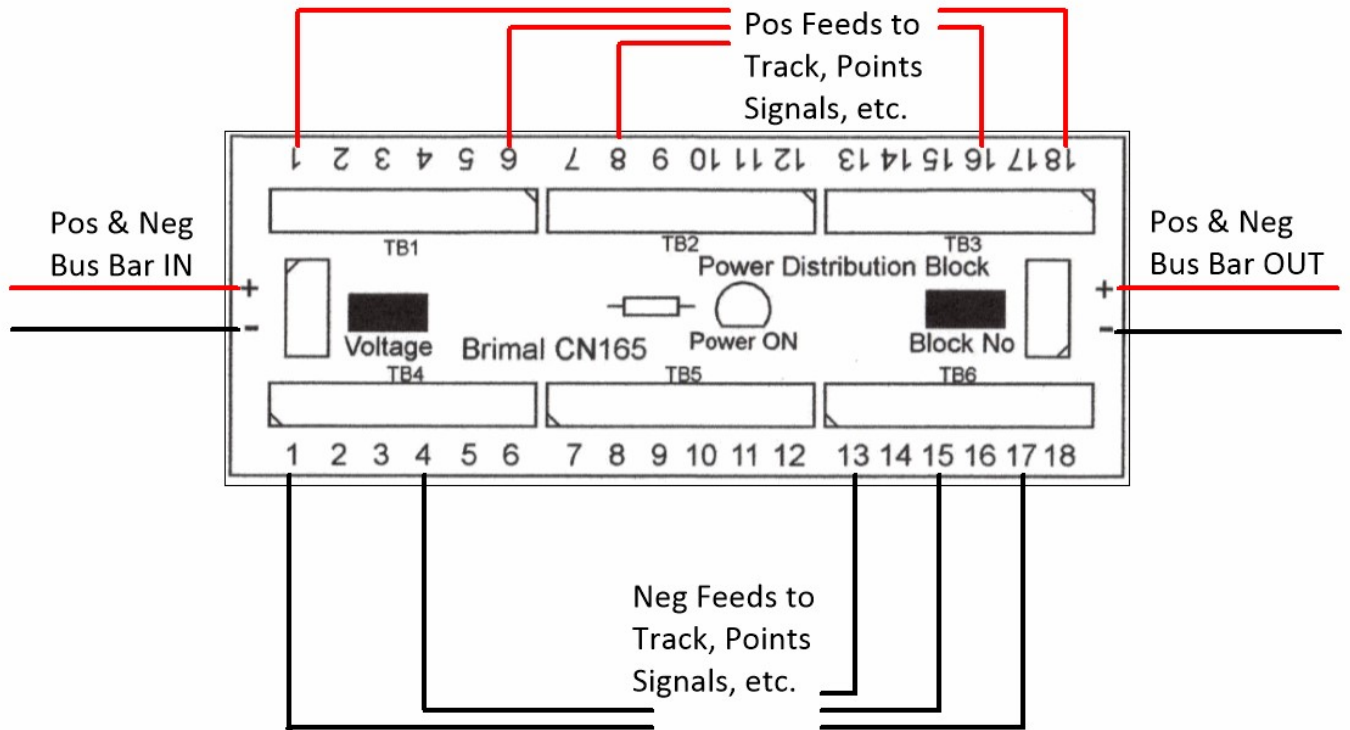
The two holes at each end are for cable ties to secure the input cable

The cable ties to use are CB870 or CB871, they are 2.4mm wide And 100mm long.

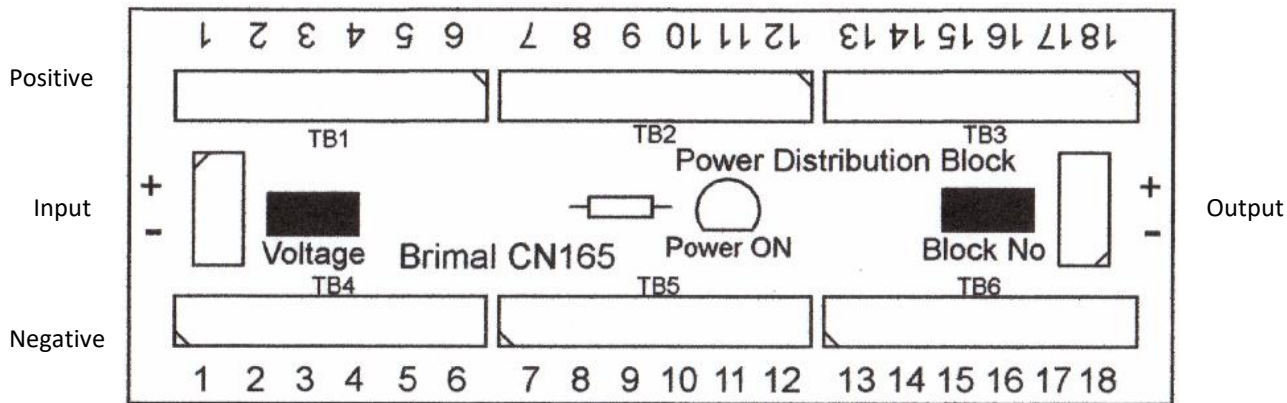


This drawing shows how the CN165 can be used as a distribution point in a Bus Bar system.

The Bus Bar comes in on the left and goes out on the right, with 18 spur off points now available, to feed all the equipment in that area of your Layout.



See below for Terminal record.



<b>Board No:</b>	<b>Board Voltage:</b>
------------------	-----------------------

Input	Colour	Description	Description	Colour	Output
+ Positive In					+ Positive out
- Negative In					- Negative out
Terminal No Positive Side	Colour	Description	Description	Colour	Terminal No Negative Side
1					1
2					2
3					3
4					4
5					5
6					6
7					7
8					8
9					9
10					10
11					11
12					12
13					13
14					14
15					15
16					16
17					17
18					18